

Electric Locks from Abloy Security

Solenoid lock EL412

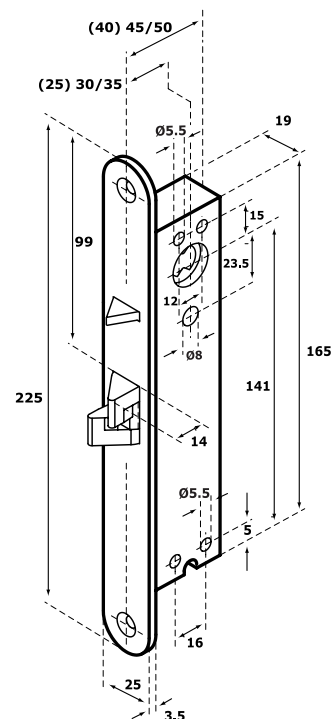


Features

- Fail locked
- High security double action bolt
- Bolt deadlocks when door closes
- Bolt collapses into lockcase as door is opened (push or pull)
- Key/thumbturn override at all times
- Suitable for mounting horizontally
- Non-handed
- Steel bolt for maximum security
- Control switches
bolt collapses allowing opening of door when power on
- Monitoring
Bolt position
N.B. It is recommended that mechanical override always be used with this lockcase
Not recommended for fire route doors

Applications

- Suitable for use on commercial premises, office and apartment buildings, industrial buildings etc.
- Ideal for exterior and interior doors requiring high security
- Suitable for use on emergency exits as the door can always be opened with the inside handle



Need technical help ?



0700 2256985

Electric Locks from Abloy Security

Specification

	EL412
Operating Voltage	
+15% +10%	12 VDC stabilized
± 15%	24 VDC stabilized
Current max (+20 °C)	
12 VDC	0.48A
24 VDC	0.24A
Temp range °C	-20 to +60
Backset (mm)	
Standard	25
Special	30 or 35
Forend Finish	Polished chrome

Accessories

	EL412
Cylinder Double	CY067
Cylinder and Turn	CY 066
Strike	Flat 1R, 2R, 3R, 4, or 4692
Cable	EA211

NB Unless otherwise stated all electro-mechanical lockcase cylinders will be supplied as ABLOY PROTEC



Abloy Security Limited, 2/3 Hatters Lane, Croxley Business Park, Watford, Hertfordshire, WD18 8QY

 01923 255066
  01923 230281
  sales@abloysecurity.co.uk / www.abloysecurity.co.uk